



Gordon Burgin's Puzzles

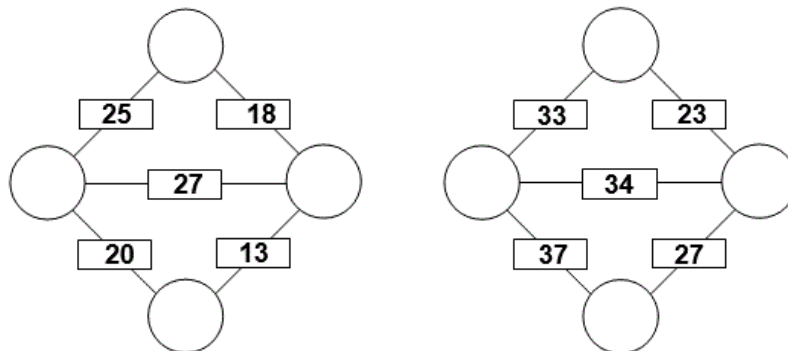
December 2019 challenge

MIND-Xpander puzzle

1. In a class of 78 students, 41 are taking French and 22 are taking German. Of the students taking French and German, 9 are taking both courses. How many students are not enrolled in either course?
2. You cash your paycheck and save half of it. With the rest, you pay a debt of \$20 and buy something for \$5. Then spending 1/5 of the remaining money, you have \$12 left. How much was your paycheck?

ARITHMAGON (addition) puzzles

In the Arithmagon, the value in each box is the sum of the values in the circles on each side of it. Determine the value in each circle. If you need tips for solving this type of puzzle, check the guidance on the website: www.gordonburgin.com.



EQUATE+2 puzzle

Each row, column & diagonal is an equation and you use the numbers 1 to 9 to complete the equations. Each number can be used only once. 'Two' numbers have been provided to get you started. Find the remaining eight numbers that satisfies all the resulting equations. Note: multiplication (x) & division (/) are performed before addition (+) and subtraction (-).

1	+		/		=	3
x	+	-		+		
	-		+		=	0
/		+	+	+		
	+		-	7	=	3
=	=	=	=			
2	5	15	17			