



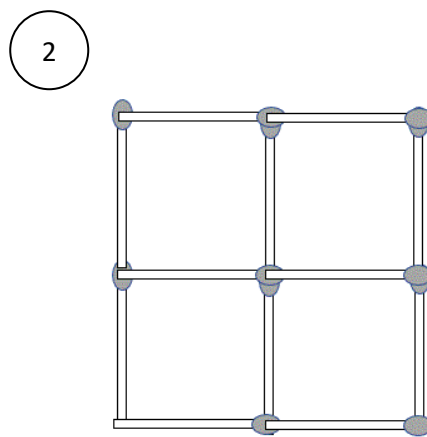
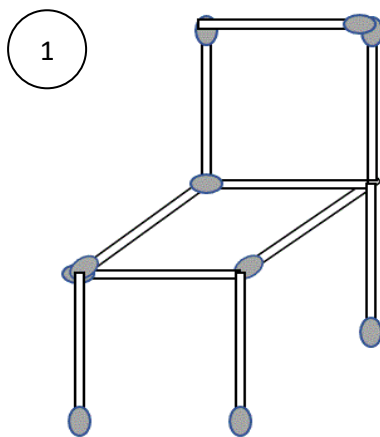
# Gordon Burgin's Puzzles

## September 2020 challenge

### MATCHSTICK Challenge

1. Move only two of the matchsticks in diagram 1 to turn the chair upside down.
2. Move only three of the matchsticks in diagram 2 to create three equal squares.

All match sticks must be used.



### MIND-Xpander (Circular Logic Challenge - Level 2)

1. You have 100 sticks standing upright in a circle (#1 to #100). Starting with stick #1, knock over the next stick (#2) in the circle. Then continue by knocking over every second stick (next is #4). Keep going around and around the circle until one stick remains standing. What number is the last stick standing?
2. What if you start half way around with stick #50 and continue around and around in same manner as above?